

- **Miniature size**
- **3 axes of measurement**
- **Ranges from  $\pm 2g$  to  $\pm 200g$**
- **Low cost**
- **Rugged construction**

The KAA Series of miniature accelerometers offer a compact yet solution robust for the motor sports industry.

Measurements of true vehicle dynamics are possible with the ability to measure static (dc) and dynamic accelerations.

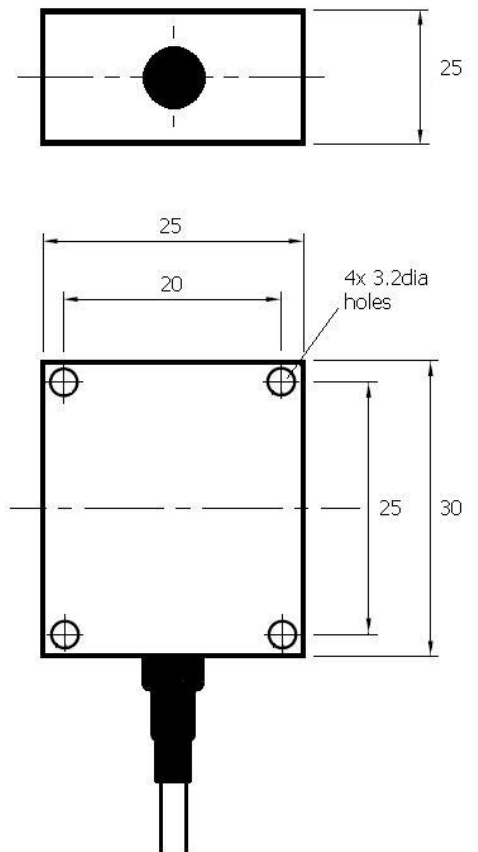
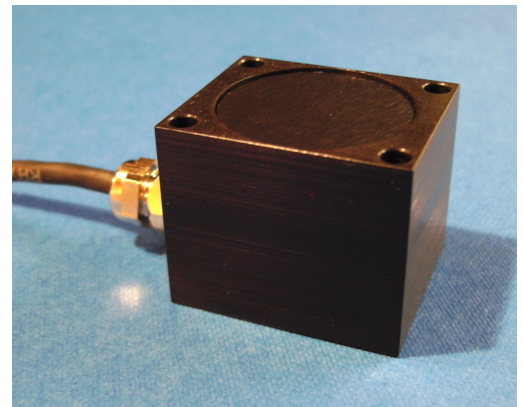
Applications include track mapping, cornering, braking, suspension test, aero performance, lean angle.

KA Sensors Ltd have over 15 years of experience with transducer applications in motor sport, we are therefore able to fully understand the complex requirements of racing and are available to assist with any application.

-----  
**Overrange:** 4,000g  
**Linearity:**  $< \pm 0.3\%$  FS  
**Cross axis sens:**  $< \pm 2\%$  FS ( $\pm 5\%$  for  $> 20g$ )  
**Resonant freq:** 5kHz  
 -----

**Operating temp:** -55 to +125°C  
**Storage temp:** -55 to +150°C  
**Compensated temp:** -20 to +70°C  
**Temp effect on zero:**  $< \pm 0.03\%$  FS/°C  
**Temp effect on sens:**  $< \pm 0.02\%$  of reading/°C  
**Construction:** Anodised aluminium  
**Cable:** 1 metre cable  
**Environmental:** IP65  
**Weight:**  $< 30$  grammes without cable

## KAA Series Triaxial Accelerometer



| Model        | Range ( $\pm g$ ) | Supply (V)        | Offset (V) ( $\pm 1\%$ ) | Sensitivity (V) ( $\pm 10\%$ ) | Bandwidth (Hz) max ( $\pm 10\%$ ) | Noise (mg/ $\sqrt{Hz}$ ) |
|--------------|-------------------|-------------------|--------------------------|--------------------------------|-----------------------------------|--------------------------|
| KAA-2g-3-s   | 2                 | s = 5<br>(5V)     | 2.5                      | $\pm 2.0$                      | 1500                              | 0.3                      |
| KAA-5g-3-s   | 5                 |                   |                          |                                | 1500                              | 0.25                     |
| KAA-10g-3-s  | 10                |                   |                          |                                | 1500                              | 0.32                     |
| KAA-20g-3-s  | 20                |                   |                          |                                | 400                               | 3                        |
| KAA-50g-3-s  | 50                | s = 12<br>(8-16V) |                          |                                | 400                               | 3                        |
| KAA-100g-3-s | 100               |                   |                          |                                | 400                               | 10                       |
| KAA-200g-3-s | 200               |                   |                          |                                | 400                               | 15                       |